



Ordos Technologies

Laboratoř pro testování elektromagnetické kompatibility a
bezpečnosti

Test Report číslo **Y4VAR226**

PRO:

Název společnosti : Vest tech UAS LLC

Testované zařízení: Blokátor záření z mikrovlnné trouby

Srpen 2014

Celkový počet stran (včetně této): 11

	<u>Obsah.</u>	
	Popis	Stránka
1.	<u>General Information</u>	3
2.	<u>EUT. Performance Verification</u>	4
2.1.	<u>Product Description</u>	4
2.2.	<u>Tested Configuration</u>	4
2.3.	<u>List of Equipment used in the tests</u>	4
3.	<u>The global proliferation of wireless radiation is accelerating at an alarming speed.</u>	5
4.	<u>Microwave Radiation test procedure</u>	6
5.	<u>Test procedure pictures</u>	6
6.	<u>Description of the Test Site</u>	7
7.	<u>List of Equipment used in Test</u>	7
8.	<u>Test results</u>	8
8.1.	<u>Electro-Magnetic test - Without the Microwave radiation Blocker:</u>	8
8.2.	<u>Electro-Magnetic test - With the Microwave radiation Blocker:</u>	8
8.3.	<u>Magnetic test - Without the Microwave radiation Blocker:</u>	9
8.4.	<u>Magnetic test - With the Microwave radiation Blocker:</u>	9
9.	<u>Conclusion</u>	10
	<u>Appendix A - FCC approval</u>	11

2. EUT. Performance Verification

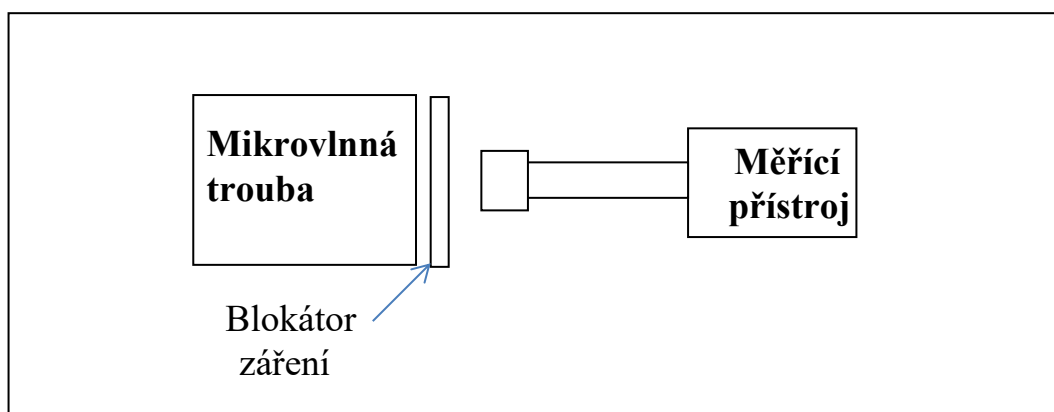
2.1. Popis produktu.

vestMicroShield, revoluční antiradiační blokátor pro vaše mikrovlnné trouby.

Vlastnosti produktu:

- Revoluční antiradiační technologie udrží záření uvnitř mikrovlnné trouby a zamezí jeho působení na uživatele.
- Lehký a praktický.
- Innovate accessory easily attaches to any microwave for a quick installation

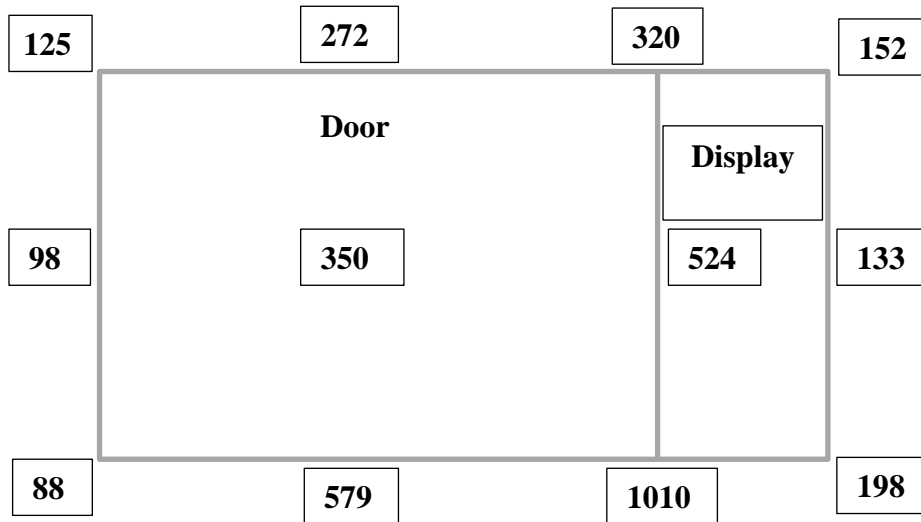
2.2. Testovaná sestava.



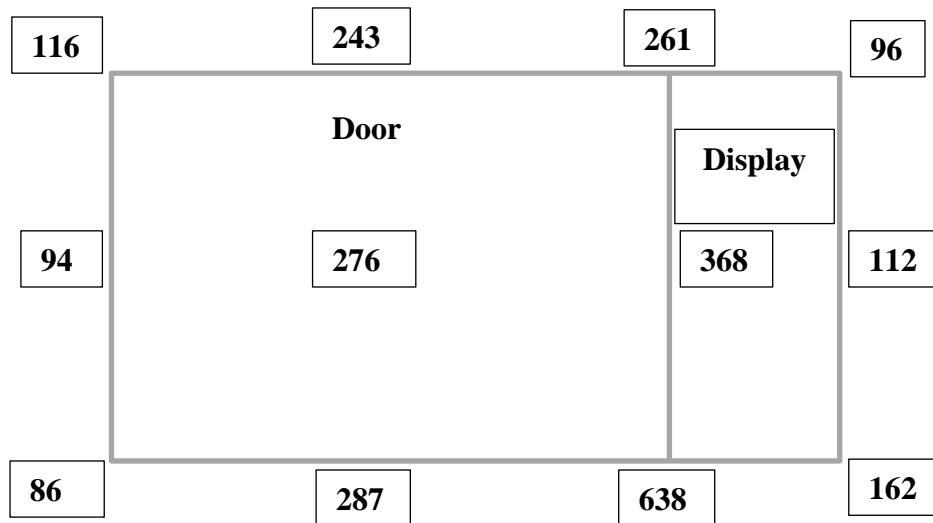
2.3. Seznam testovaných zařízení

No	Popis	Model	S.N.	Výrobce:
Testované zařízení				
1.	EUT	Blokátor záření z mikrovlnné trouby	738759931381	vest tech UAS LLC

8.3. Magnetický test - bez blokátoru zá ení z mikrovlnné trouby:



8.4. Magnetický test - s blokátorem zá ení z mikrovlnné trouby:



9. Závěr.

9.1. Blokátor záření z mikrovlnné trouby může zredukovat záření až o 78%.

9.2. Oblast s největším vyzařováním je na nižší přední části dvířek od mikrovlnné trouby.

V této oblasti dochází také k největší redukci blokátorem.

Appendix A – FCC approval

FEDERAL COMMUNICATIONS COMMISSION

Laboratory Division
7435 Oakland Mills Road
Columbia, MD 21046

July 09, 2013

Registration Number: 853574

Ordos Technologies - Saydos Ltd.
10th zarhin st.,
,
Raanana, 43362
Israel

Attention: Yossef Ben-David

Re: Measurement facility located at Israel
3 meter and 10 meter outside area test site (OATS)
Date of Listing: July 09, 2013

Dear Sir or Madam:

Your request for registration of the subject measurement facility has been reviewed and found to be in compliance with the requirements of Section 2.948 of the FCC rules. The information has, therefore, been placed on file and the name of your organization added to the list of facilities whose measurement data will be accepted in conjunction with applications for Certification under Parts 15 or 18 of the Commission's Rules. Please note that the file must be updated for any changes made to the facility and the registration must be renewed at least every three years.

Please also note that this registration does not recognize the measurement facility as an accredited testing laboratory that is accepted to perform testing for products authorized under the Declaration of Conformity (DoC) process. In order to test products subject to DoC authorization process, a measurement facility must: (1) be accredited by an accreditation body recognized by the FCC to accredit testing laboratories in the country in which the testing laboratory is located and (2) be recognized by the FCC and appear on the FCC website that identifies testing laboratories recognized by the FCC as accredited.

Measurement facilities that have indicated that they are available to the public to perform measurement services on a fee basis may be found on the FCC website www.fcc.gov under E-Filing, OET Equipment Authorization Electronic Filing, Test Firms.

Sincerely,



Dave Galosky
Electronics Engineer